

RU-01 Frame

Quick Start Guide

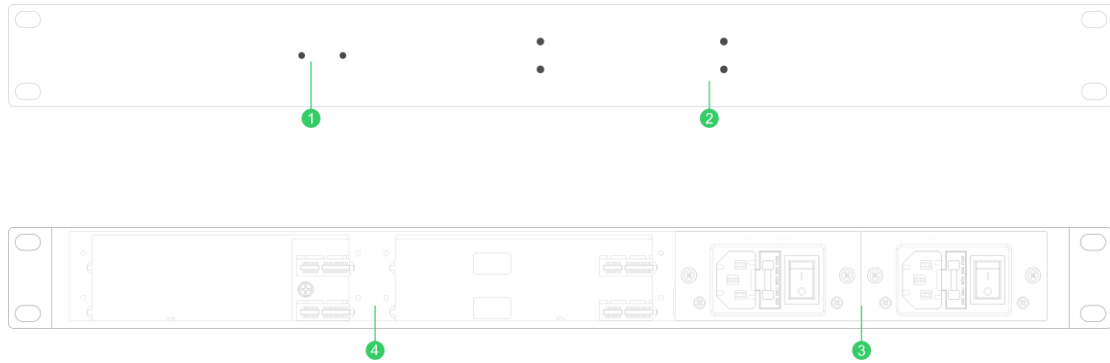


2021
REV. 1

Thanks for your purchasing! Before using this product, it is recommended that you read the guide carefully. To ensure your personal safety and avoid physical or electrical damage to the device, please strictly follow the instructions of this guide or install and use it under the guidance of professionals. Incorrect electrical connections or physical installation may cause permanent damage to the device and even threaten personal safety.

The 1U rack mount is a plug-in structure, which can replace and mix plug-in cards easily, combining 1/2/3/4 channels and multi-interface, encoding/decoding mixed solutions. It is equipped with dual power adapters.

1. Interface description



1. Power light 2. Working indicators 3. Power card slot 4. Card slot

2. LED light

PWR1 and PWR2 respectively correspond to two power status indicators, and four card indicators display four card working states.

Name	Status	Description
PWR1/PWR2 power light	OFF	No power supplied or device failure
	Red light always on	Working
Card working light	OFF	Not enabled, not insert the card or the card works abnormally
	Green light always on	The card is working

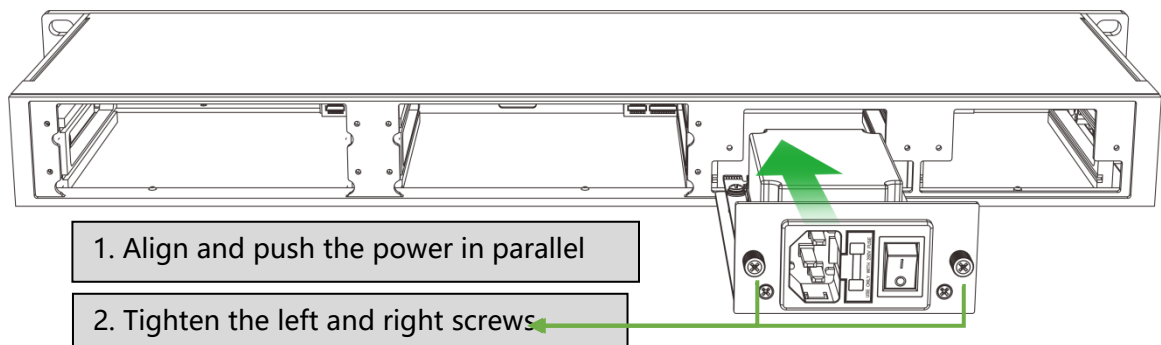
3. Power components

Power specifications: 35w power module components



4. Power components installation and removal

Align the power components with the card slots and push in parallel, then tighten the double-sided screws. Reverse the process for removal.



Note: The two power components work uninterrupted at the same time. When one of the components is powered off or damaged, the device will not be powered off. The power components can be replaced without power supply.

5. Card installation and removal

Align the card assembly with the card slots and push in parallel, then tighten the double-sided screws. Reverse the process for removal.

